



Assembly and installation guide

Before you start: ATTENTION

Please read these instructions through carefully before you start the installation. Incorrect product installation may result in serious product failure which will not be covered under your guarantee.

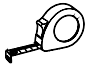


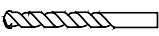
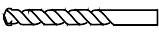

The wall profiles are designed to allow for 20mm adjustment when fitted to out of true walls. The thickness of the tiles used will affect the overall position of the assembly in situ.

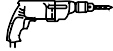
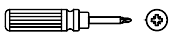
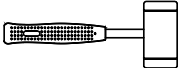


Check the number of components to ensure you have all the parts listed and make sure you have the right tools to hand.

Two people are required for certain parts of the assembly and it is always recommended that a technically competent installer should undertake the installation.

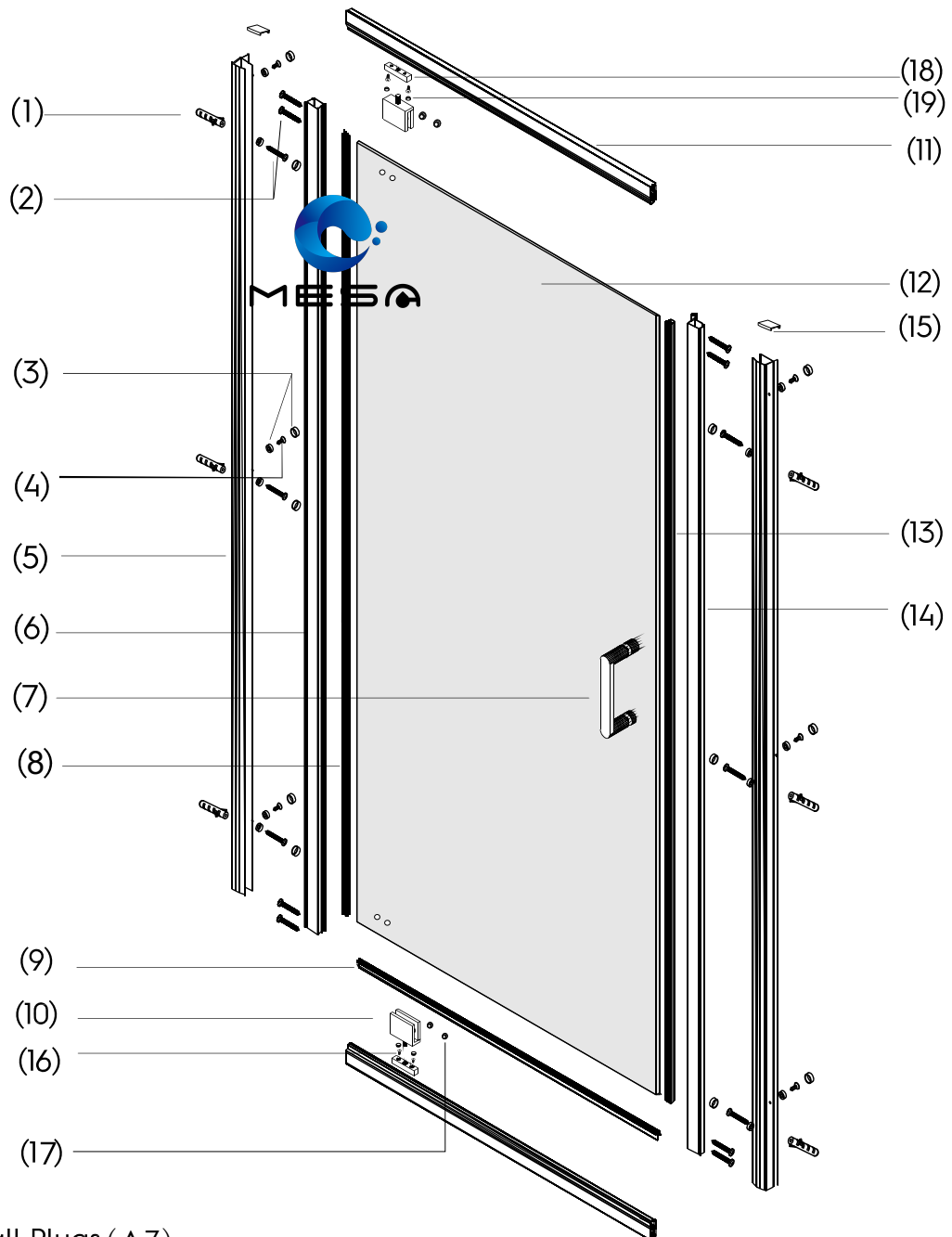
Ensure that the enclosure is fitted to a level base. The wall plugs included with this product are suitable only for solid walls. Plasterboard or stud walls may require specialized fixings which are not provided. Handle all glass components with extreme care avoiding any damage to the corners and edges which may cause it to shatter.

TOOLS REQUIRED

DESCRIPTION	PART IMAGE
Tape measure	
Spirit level	
Pencil	
Ø6mm Drill bit	
Ø3mm Drill bit	
Protection eyeglasses	


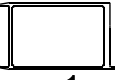
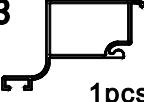






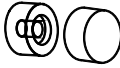

DESCRIPTION	PART IMAGE
Drill	
Cross head Screwdriver	
Mallet	
Silicone Sealant	
Gloves	

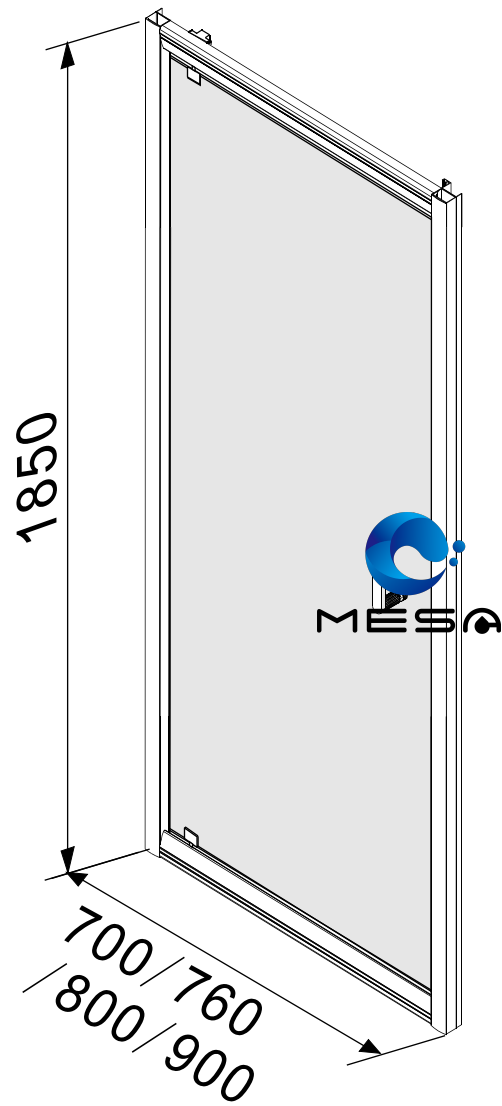
ASSEMBLY INSTRUCTIONS - EXPLODED VIEW AND PARTS LIST



- | | |
|--|---|
| (1) 6x Wall Plugs (A7) | (10) 2x Pivot hinges |
| (2) 14x Screws 4x30 (A8) | (11) 2x Horizontal frame profiles |
| (3) 12x Screw Cover Caps and Clips (A13) | (12) 1x Glass Door |
| (4) 6x Screws 4x12 (A9) | (13) 1x Vertical magnetic strip |
| (5) 2x Wall Posts Profiles (A4) | (14) 1x Vertical magnetic frame profile |
| (6) 1x Inner frame profile (A2) | (15) 2x Top profile cover caps (A1) |
| (7) 1x Handle (A6) | (16) 4x Screws 4x20 |
| (8) 1x Vertical frame seal | (17) 4x Bracket screw cover caps |
| (9) 1x Bottom seal strip (A14) | (18) 2x Pivot pins |
| | (19) 4x Pivot mechanism cover caps |

COMPONENTS LISTING

A1  2pcs	A2  1pcs	A3  1pcs	A4  2pcs	A6  1pcs
A7  Ø6mm 6pcs	A8  4X30 6pcs	A9  4X12 6pcs	A11  Ø3mm	A13  12pcs
A14  1pcs				

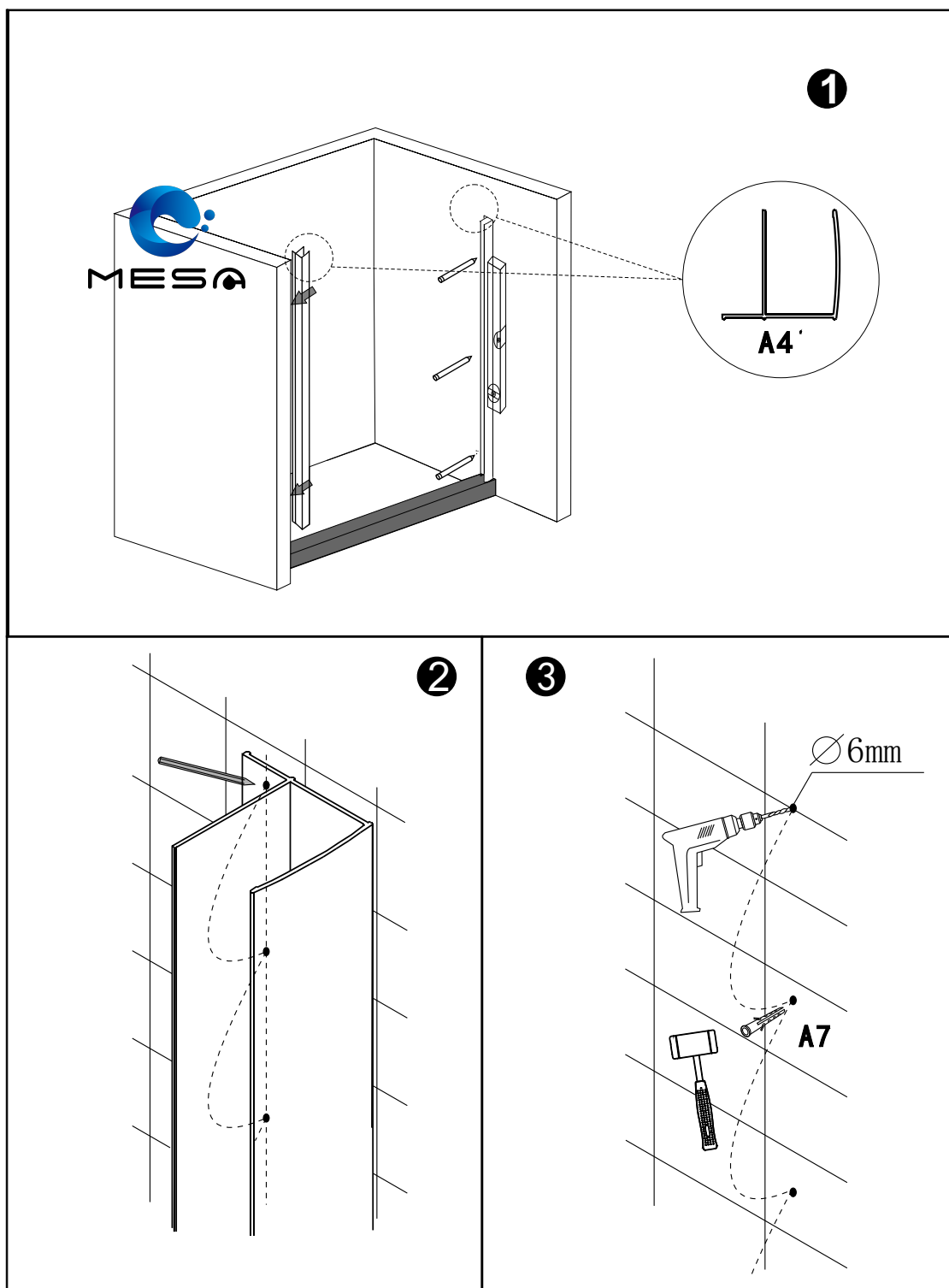


ASSEMBLY INSTRUCTIONS

If you require help, we advise you to contact a competent plumber
Installation Steps

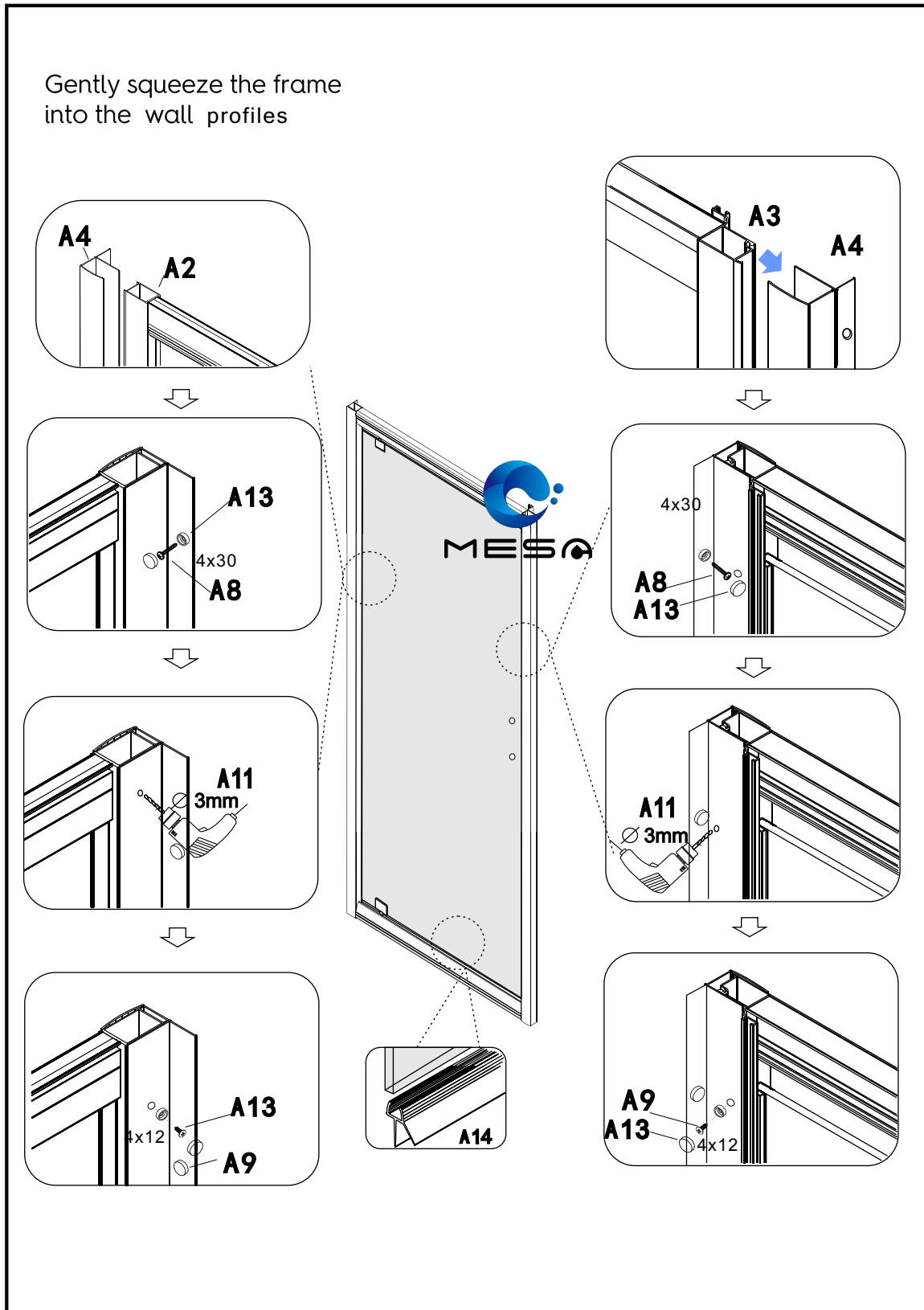
Step 1- FIXING THE WALL PROFILES

ENSURE THE WALL PROFILES ARE ALIGNED AND VERTICALLY PLUMB
BEFORE DRILLING AND FIXING
MAKE SURE THE BASE IS LEVEL AND EVEN

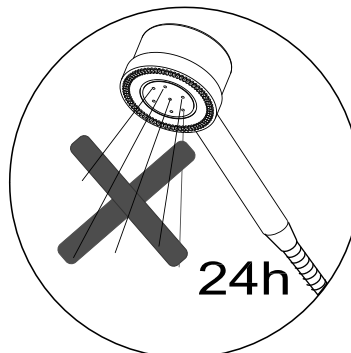
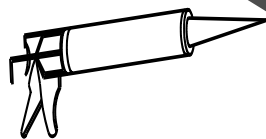
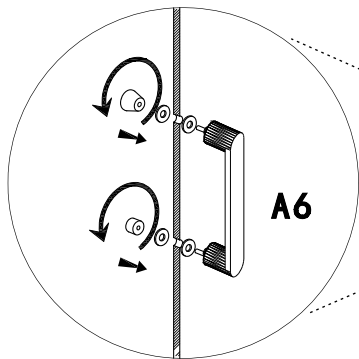
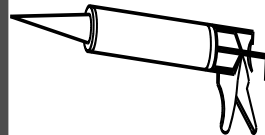
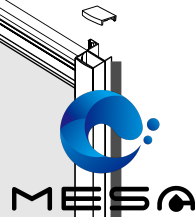
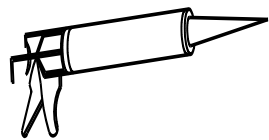
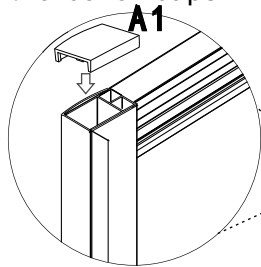


Step 2 - FIXING THE DOOR FRAME ASSEMBLY INTO POSITION WITH THE WALL PROFILES

Gently squeeze the frame into the wall profiles



Fit the cover caps



Allow 24 hours for silicone to dry before use .
Silicone on the outside edge only as shown



CARE AND MAINTANENCE:

It is important that you clean your shower enclosure after every use.

Soapy water is adequate to keep the glass clean however glass cleaner can be used if required. In hard water areas, insoluble lime scale may be deposited on the glass. If this is allowed to build up it becomes increasingly difficult to remove. Regular cleaning will minimise this effect.

NEVER use abrasive products or strong chemical cleaners on the glass.

Silicone spray may be used to lubricate rollers, hinges and other moving parts